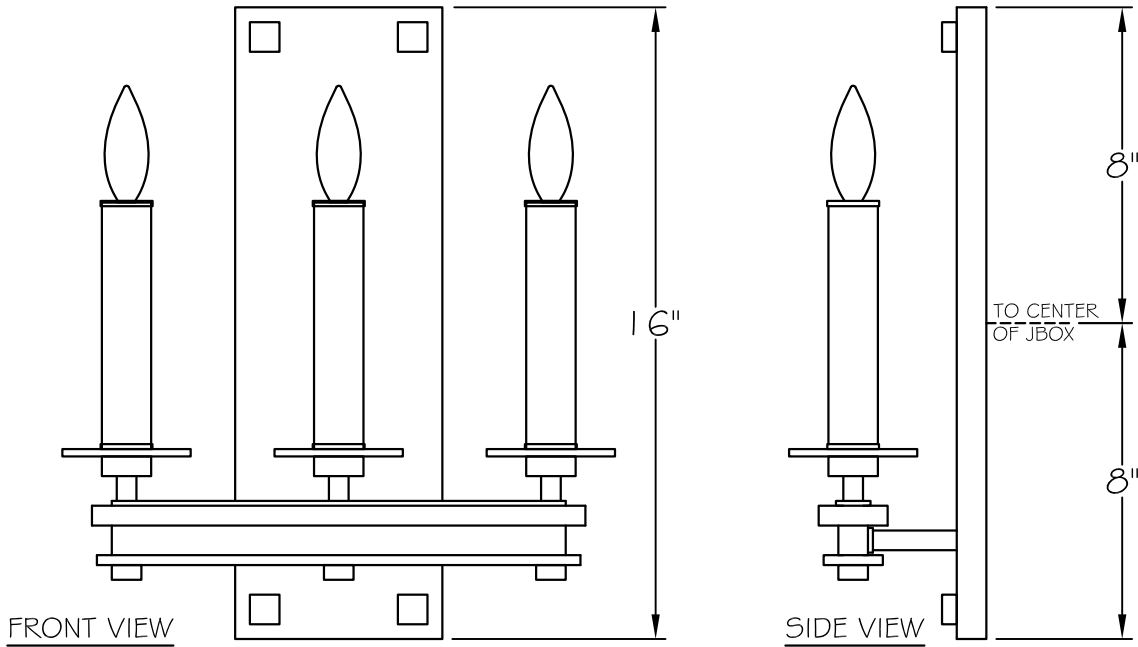
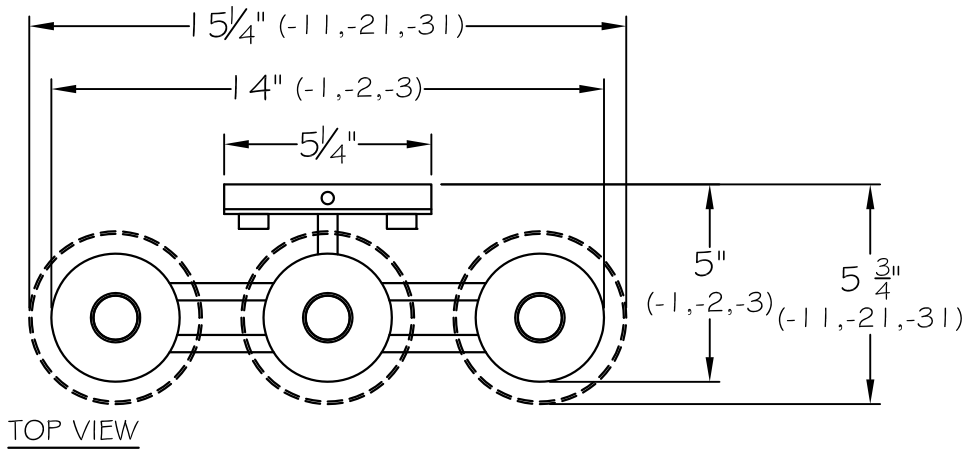




CUSTOMER REFERENCE DRAWING

REV.	ECN # IF APPLIC.	REVISION DESCRIPTION	REQ'D. BY	DRAFTER	DATE
1	NA	ORIGINAL RELEASED VERSION	NA	AC	2/16/17



THUMBNAIL IMAGES OF STYLE OPTIONS:

-1ST BRONZE -25T WEATHERED IRON -3ST SOFT GOLD  WITHOUT SHADES	-1 1ST BRONZE -2 1ST WEATHERED IRON -3 1ST SOFT GOLD  WITH SHADES
---	--



This drawing and specifications are the exclusive property of BLUMBERG INDUSTRIES, INC. issued in strict confidence and shall not, without the prior written permission of BLUMBERG INDUSTRIES, INC., be produced, copied or used for any purpose whatsoever except the manufacture articles for FINE ART LAMPS.

5770-5772 Miami Lakes Dr. East / Miami Lakes, FL 33014  
 Ph: (305) 821-3850 FAX: (305) 821-1564

STYLE NUMBER: 888950

PART NUMBER: